

Dual Reinforced Membrane Specified for Exposed Waterproofing

The Derbigum SP (Special Polyester) range of products has been designed to meet the specific requirements for waterproofing in exposed situations. Manufactured in South Africa to suit the harsh African climate and conditions.

Fields of application

The Derbigum SP range has been designed and developed for waterproofing in situations such as:

- Concrete Roofs
- Timber Boarded Roofs
- Wide Gutters
- Parking Decks
- Insulated Roofs

Features

- Excellent tensile strength and elasticity.
- Excellent weathering properties.
- Temperature stability.
- High impact and fatigue resistance.

Derbigum Special Polyester 4 mm Roofing is a high performance, UV stable, polymer modified bitumen waterproofing membrane. This dual reinforced product comprises of a high strength polyester core and a top layer of reinforced glass tissue. Derbigum Special Polyester Roofing is compatible with most existing materials, and systems.



Primary Use

SP3	SP4	SP5
Parapet Walls	Exposed Roofs	Parking Decks

Presentation

	SP3	SP4	SP5
Thickness	3 mm	4 mm	5 mm
Width	1000 mm	1000 mm	1000 mm
Length - roll	10 m	10 m	8 m
Weight - per meter ² (approx.)	± 3.2 kg/m ²	± 4.2 kg/m ²	± 5.25 kg/m ²
Weight - per roll (approx.)	± 32 kg	± 42 kg	± 42 kg
Polyester	≥ 100 g/m ²	120 g/m ²	120 g/m ²
Glass Fibre	50 g/m ²	50 g/m ²	50 g/m ²

SP4 Physical Properties

Tensile Strength	50 mm	Longitudinal 469N	Transverse 374N
Tensile Elongation		Longitudinal 40%	Transverse 55%
Tear Strength	Die No. C - ASTM D624	Longitudinal 72N	Transverse 77N
Flexibility	Derbigum SP4 was formed over mandrels diameter 100 mm, 50 mm and 20 mm at 0°C. Cracking of the surface occurred over 20 mm mandrel only.		
Dimensional Stability at High Temperature	Test 28 days exposure at 80°C: movement less than 1 mm/m		

Specifications are subject to change without notification. Results shown reflect the minimum performance required and show the typical test procedures used. Actual field performance will depend on installation methods and site conditions.

Available from Waterproofing Centres countrywide

www.derbigum.co.za

Cape Town
 Tel 021 448 7880
 Fax 021 448 7897

Gauteng
 Tel 011 608 0317
 Fax 011 608 0347

Durban
 Tel 031 569 3963
 Fax 031 569 1849

Port Elizabeth
 Tel 041 365 2936
 Fax 041 365 6475

Manufacturing Plant
 Tel 011 868 1028
 Fax 011 900 2015

Brackenfell
 Tel 021 981 8343

East London
 Tel 043 722 5676
 Fax 043 722 5676

George
 Tel 044 874 3905
 Fax 044 874 3907

Nelspruit
 Tel 013 752 4409
 Fax 013 752 6556

Margate
 Tel 039 312 2764
 Fax 039 312 2673

Dual Reinforced Membrane Specified for Exposed Waterproofing

Application

- Installation by Approved Derbigum Contractors (ADC's) countrywide.
- Ensure that all surfaces to receive the waterproofing application are in a dry, sound, smooth and even condition, free of voids and protrusions.
- Coves or fillets are to be installed at all internal angles.
- Apply Bitumen Primer to concrete and screeded surfaces.
- Side laps should be a minimum of 75mm (recommended 100mm for tanking) and end laps 100mm and fully bonded by means of 'torch-on' fusion.

Note: Derbigum shall not be roughly handled, especially at temperatures below 5°C. Work must be stopped at atmospheric temperatures below -2°C.

When used over high efficiency thermal insulation materials, the roof membranes may be required to operate at roof surface temperatures approaching 80°C in high summer.

Horticultural Use: Use plants with non-invasive root systems / root structures to avoid damage to waterproofing systems.

Safety

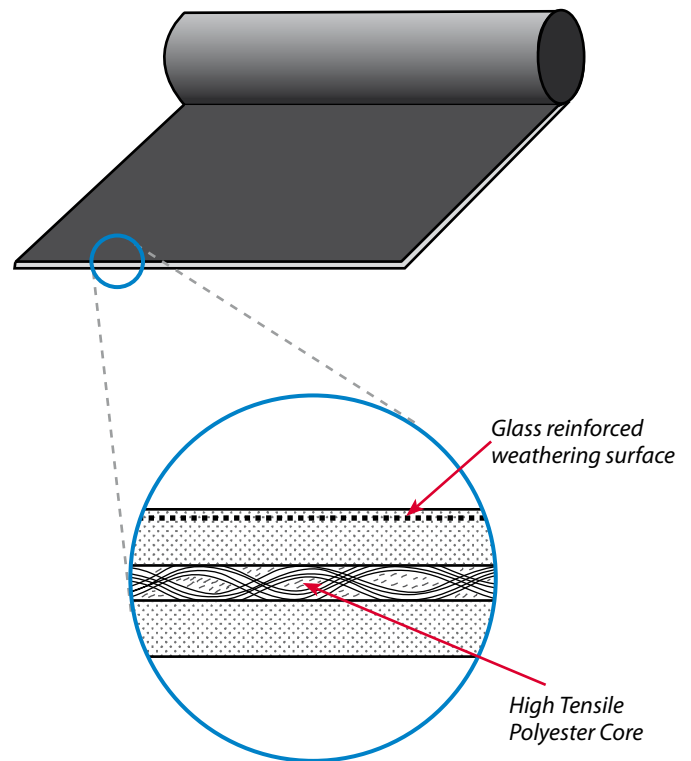
- Normal hygiene procedures.
- Wash hands thoroughly with soap and water or a proprietary hand-cleaner prior to eating or smoking.

Storage

- Rolls must be transported in a vertical position.
- Store upright in a cool, dry place.
- The floor must be regular and free of sharp objects.
- Do not double stack, **unless properly separated.**



Cross Section of Derbigum SP



version 002-201404

Disclaimer: The use of this product is beyond the manufacturer's control and liability is restricted to the replacement of proven material defects. The manufacturer is not responsible for any loss or damage arising from incorrect usage. Specifications are subject to change without prior notice.

Available from Waterproofing Centres countrywide

www.derbigum.co.za

Cape Town
Tel 021 448 7880
Fax 021 448 7897

Gauteng
Tel 011 608 0317
Fax 011 608 0347

Durban
Tel 031 569 3963
Fax 031 569 1849

Port Elizabeth
Tel 041 365 2936
Fax 041 365 6475

Manufacturing Plant
Tel 011 868 1028
Fax 011 900 2015

Brackenfell
Tel 021 981 8343

East London
Tel 043 722 5676
Fax 043 722 5676

George
Tel 044 874 3905
Fax 044 874 3907

Nelspruit
Tel 013 752 4409
Fax 013 752 6556

Margate
Tel 039 312 2764
Fax 039 312 2673